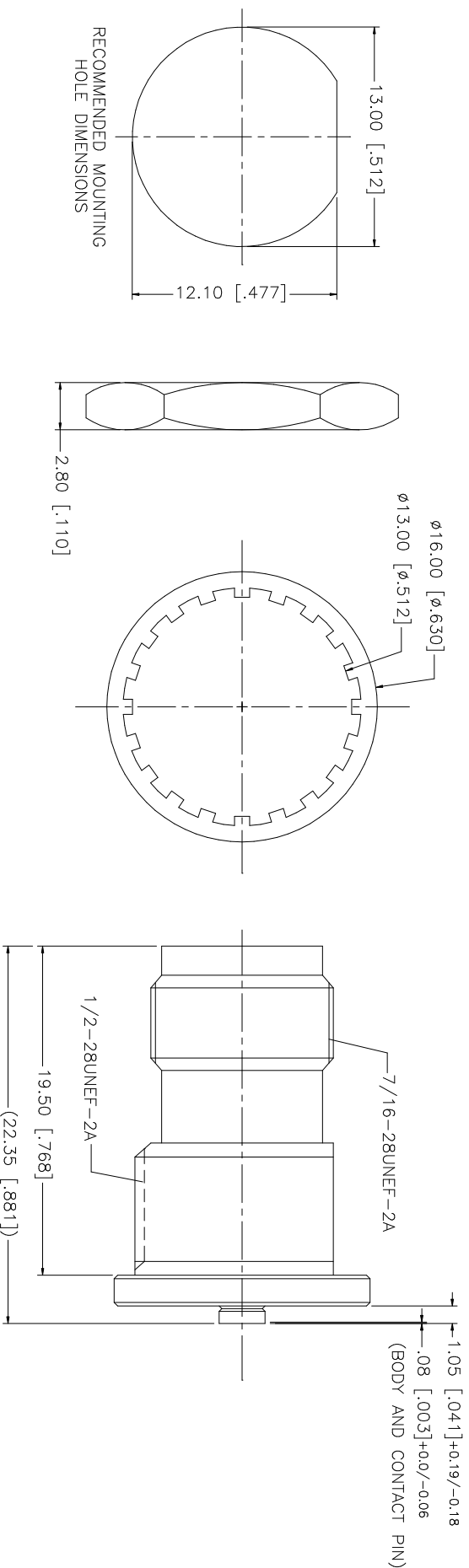


REV.	DATE	DESCRIPTION
A	04/06/04	MODIFY PART DESCRIPTION - REMOVE "REVERSE POLARITY"
B	05/26/06	REVISE PART DESCRIPTION TO "AMC" JACK



NOTES:
 1. MAX. PANEL THICKNESS = 5mm

REV.	DATE	DESCRIPTION
8		
7		
6		
5		
4		
3		
2		
1		

QTY	DESCRIPTION	MATERIAL	FINISH
1	HEX NUT	BRASS	NICKEL
1	LOCK WASHER	BRASS	NICKEL
1	BODY	BRASS	NICKEL
1	INSULATOR	TEFLON	NATURAL
1	CONTACT PIN	BRASS	GOLD
1	BODY	BRASS	NICKEL

APPROVALS	DATE
DRAWN G.R.S.	05/26/06
CHECKED	
ISSUED	
SHEET 1 OF 1	

PART DESCRIPTION	PART NO.
AMC JACK TO TNC JACK BULKHEAD ADAPTER	242192

DO NOT SCALE DRAWING	CAD FILE	DWG. NO.	REV.	SIZE	SCALE
	C:/242/242192.DWG	242192.DWG	B	A	NA

Amphenol Connex